

APPROVED	O.G. FIG.	
BY	CLASS	SUBCLASS
DRAFTSMAN		

In re Horikoshi MAMORU, et al.  
 Appl. No.: 09/508,418  
 Confirmation No.: Unassigned  
 Filed: June 08, 2000  
 For: Novel Protoporphyrinogen oxidase Tolerant To  
 Photobleaching Herbicide  
 Sheet 1 of 2 Atty Dkt.: Q58140  
 SUGHRUE, MION, PLLC  
 (202) 293-7060

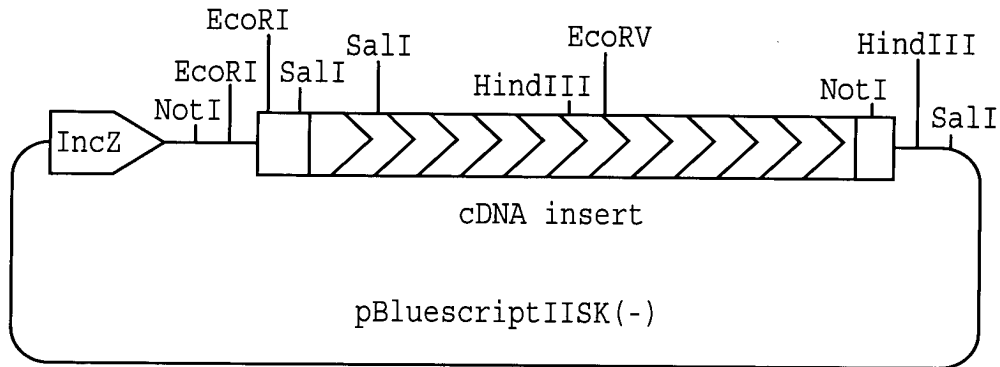


FIG. 1

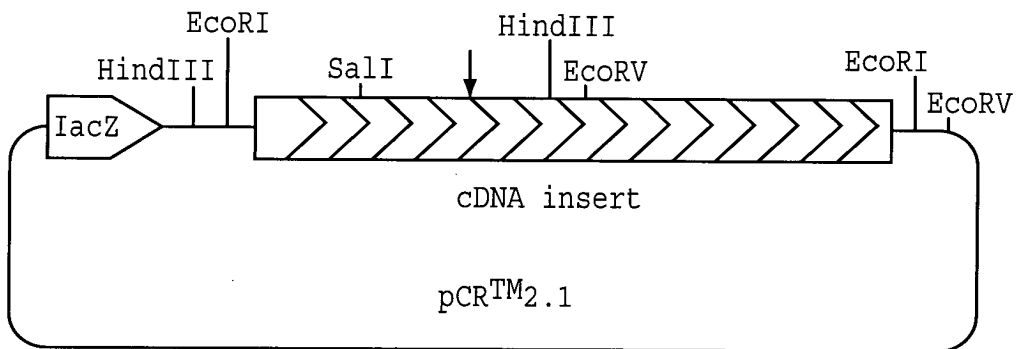


FIG. 2

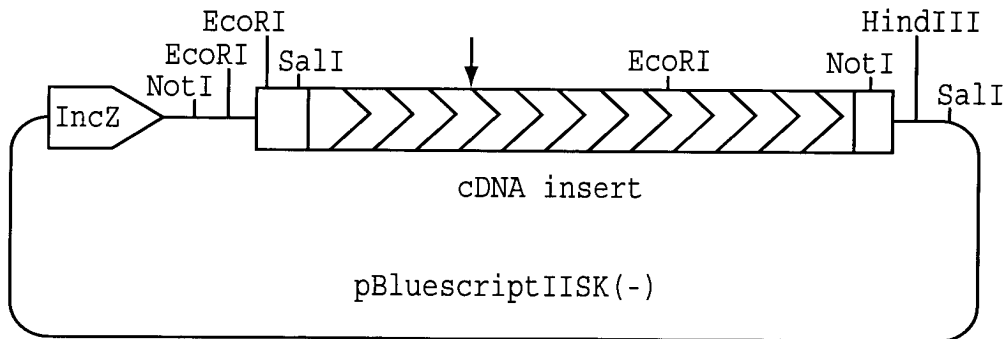


FIG. 3

APPROVED	O.G. FIG.	
BY	CLASS	SUBCLASS
DRAFTSMAN		

In re Horikoshi MAMORU, et al.  
 Appln. No.: 09/508,418  
 Confirmation No.: Unassigned  
 Filed: June 08, 2000  
 For: Novel Protoporphyrinogen oxidase Tolerant To  
 Photobleaching Herbicide  
 Sheet 2 of 2 Atty Dkt.: Q58140  
 SUGHRUE, MION, PLLC  
 (202) 293-7060

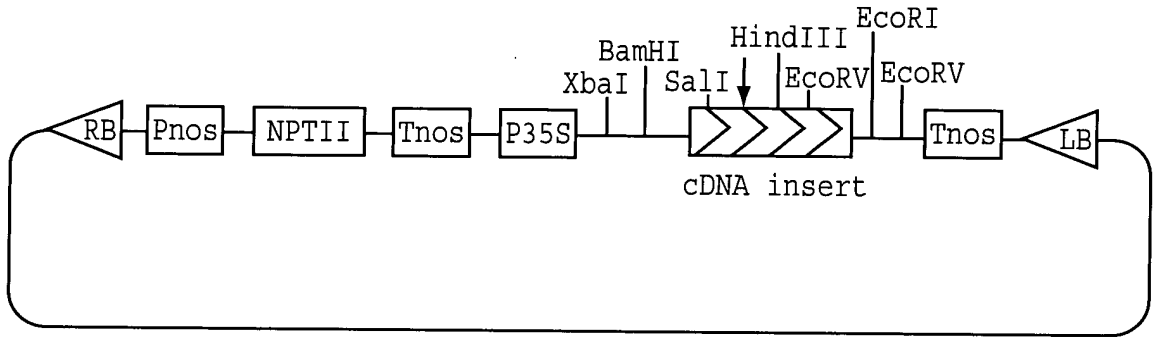


FIG. 4

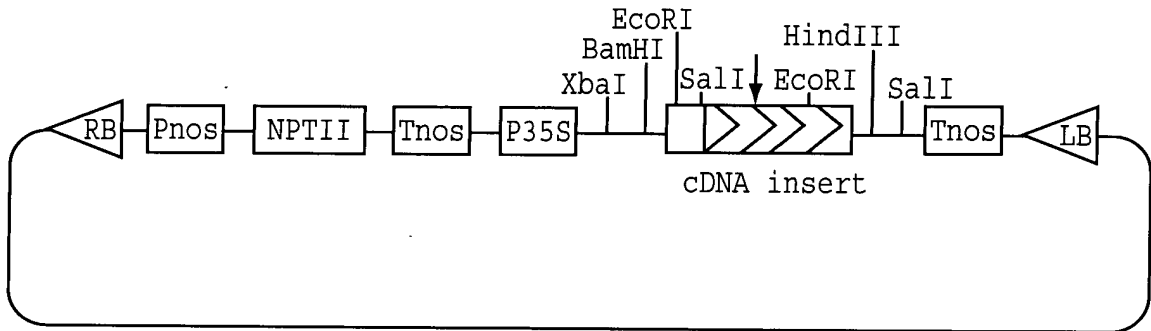


FIG. 5